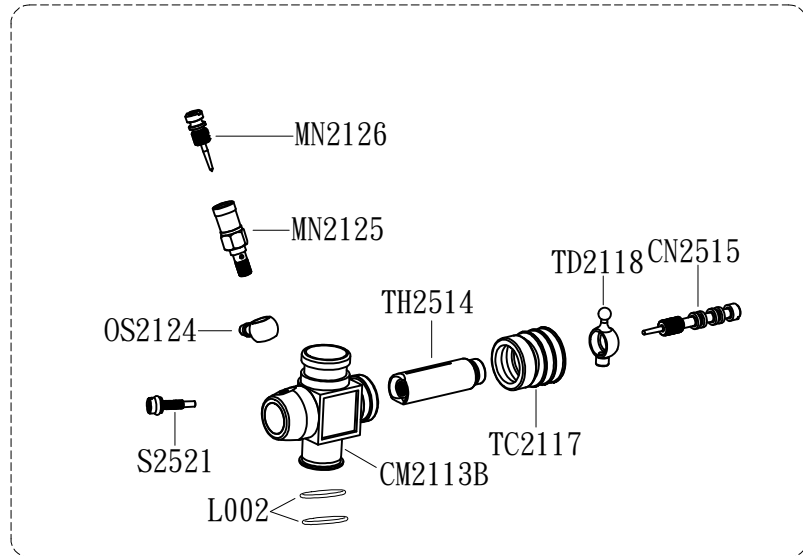


E-2508T



CM2113D-2

